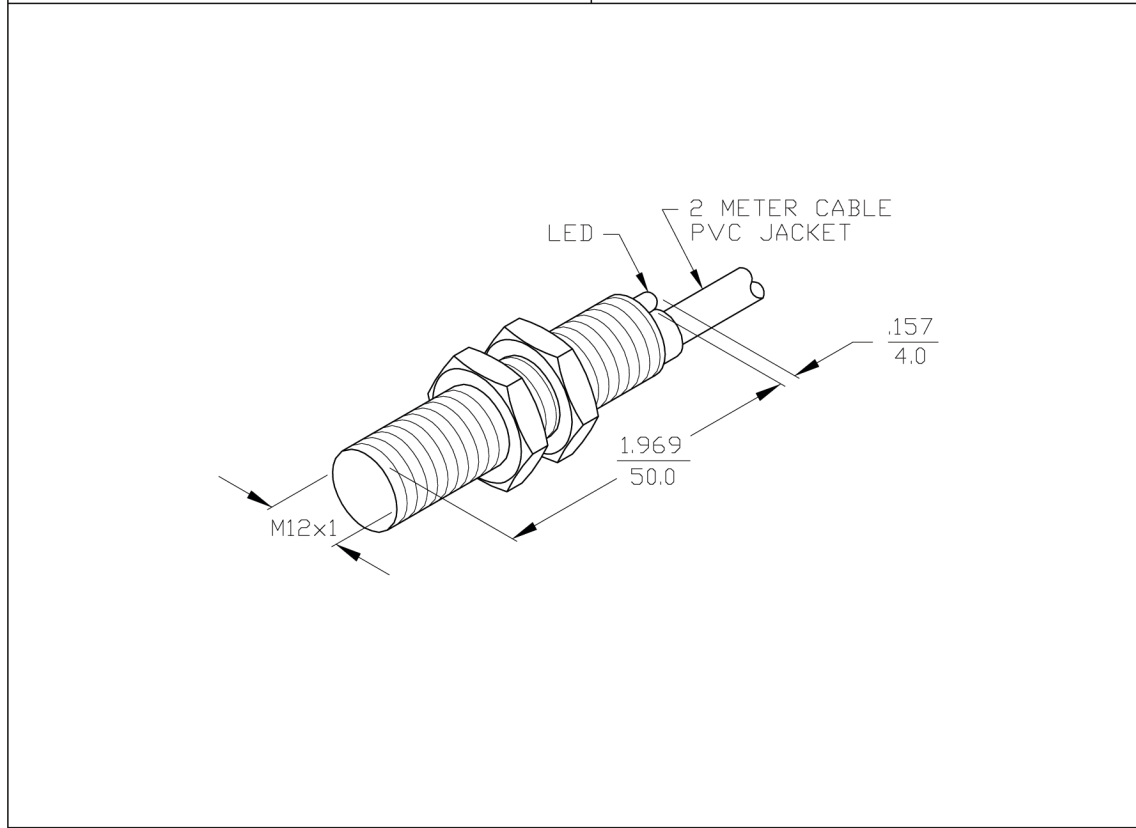
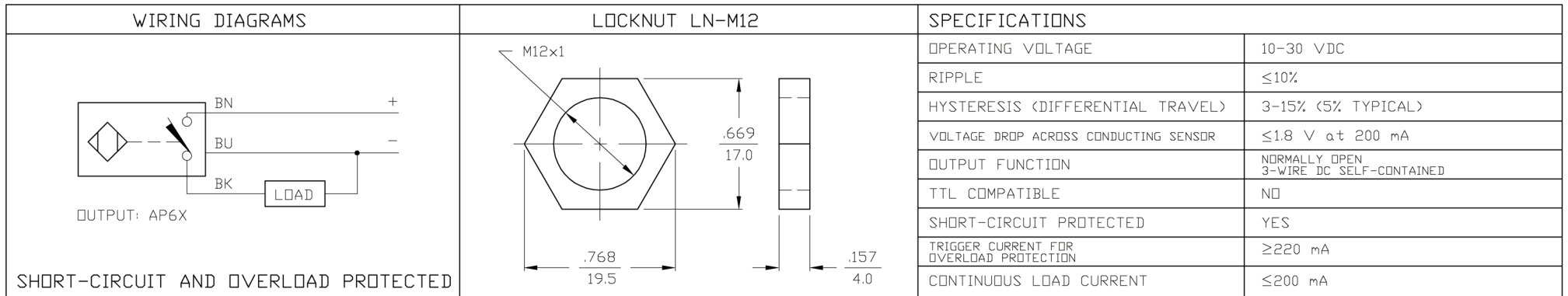


### 3-Wire DC

Ripple. . . . .	≤10%
Differential Travel (Hysteresis). . . . .	3-15% (5% typical)
Voltage Drop Across Conducting Sensor. . . . .	≤1.8 V
	- Si...K08/K10(AP71, AN7) . ≤0.7 V
	- Bi/Ni../S34 . . . . . ≤1.8 V
	- Bi 2-Q8SE-AP/AN.. . . . ≤2.5 V
Trigger Current for Overload Protection . . . . .	≥220 mA on 200 mA Load Current
	≥170 mA on 150 mA Load Current
	≥120 mA on 100 mA Load Current
Off-State (Leakage) Current . . . . .	<100 μA
No-Load Current . . . . .	<10 mA ( <b>Uprox</b> ≤15 mA)
Time Delay Before Availability . . . . .	≤8 ms
Power-On Effect . . . . .	Per IEC 947-5-2
Reverse Polarity Protection . . . . .	Incorporated
Wire-Break Protection . . . . .	Incorporated
Transient Protection. . . . .	Per EN 60947-5-2
Shock . . . . .	30 g, 11 ms
Vibration . . . . .	55 Hz, 1 mm Amplitude in all 3 Planes
Repeatability . . . . .	≤2% of Rated Operating Distance
	Bi 2-Q8SE-AP/AN.. ≤5% of Rated Operating Distance

### 4-Wire DC

Ripple. . . . .	≤10%
Differential Travel (Hysteresis). . . . .	3-15% (5% typical)
Voltage Drop Across Conducting Sensor. . . . .	≤1.8 V at 200 mA
Trigger Current for Overload Protection . . . . .	≥220 mA on 200 mA Load Current
	≥170 mA on 150 mA Load Current
	≥120 mA on 100 mA Load Current
Off-State (Leakage) Current . . . . .	<100 μA
No-Load Current . . . . .	<10 mA (Uprox ≤15 mA)
Power-On Effect . . . . .	Per IEC 947-5-2
Reverse Polarity Protection . . . . .	Incorporated
Wire-Break Protection . . . . .	Incorporated
Transient Protection. . . . .	Per EN 60947-5-2
Shock . . . . .	30 g, 11 ms
Vibration . . . . .	55 Hz, 1 mm Amplitude in all 3 Planes
Repeatability . . . . .	≤2% of Rated Operating Distance



OFF-STATE (LEAKAGE) CURRENT	<10 μA
NO-LOAD CURRENT	5.5-9.5 mA
TIME DELAY BEFORE AVAILABILITY	≤8 ms
POWER-ON EFFECT PROTECTION	INCORPORATED
REVERSE POLARITY PROTECTION	INCORPORATED
WIRE-BREAK PROTECTION	INCORPORATED
PROTECTION AGAINST TRANSIENTS	2 kV, 1 ms, 1 kΩ
OPERATING TEMPERATURE	-25°C to +70°C (-13°F to +158°F)
ENCLOSURE	MEETS NEMA 1, 3, 4, 6, 13 AND IEC IP67
SHOCK	30 g, 11 ms
VIBRATION	55 Hz, 1 mm AMPLITUDE (IN ALL 3 PLANES)
LED FUNCTION	RED: OUTPUT ENERGIZED
SENSING RANGE	2 mm = .079" (NOMINAL)
SWITCHING FREQUENCY	2000 Hz
REPEATABILITY	≤2% of RATED OPERATING DISTANCE
EMBEDDABLE (SHIELDED)	YES

MATERIAL <b>BRASS BARREL</b>		3RD ANGLE PROJECTION		<b>TURCK INC</b>
FINISH <b>COPPER/NICKEL/ CHROME PLATING</b>				
DRWN <b>GMB</b>	DATE <b>2/6/91</b>	PART NO. <b>Bi2-G12-AP6X 50MM</b>		
CHKD	DATE			
TMI		SIZE <b>B</b>	ID NO. <b>4635400</b>	REV
DIMENSIONS ARE IN <b>INCHES</b> mm		SCALE <b>NONE</b>	<b>BMPC-D\4635400</b>	SHEET <b>0F</b>

REV	DESCRIPTION	DRFT	DATE	CHKD
REVISIONS				